

FIG.1

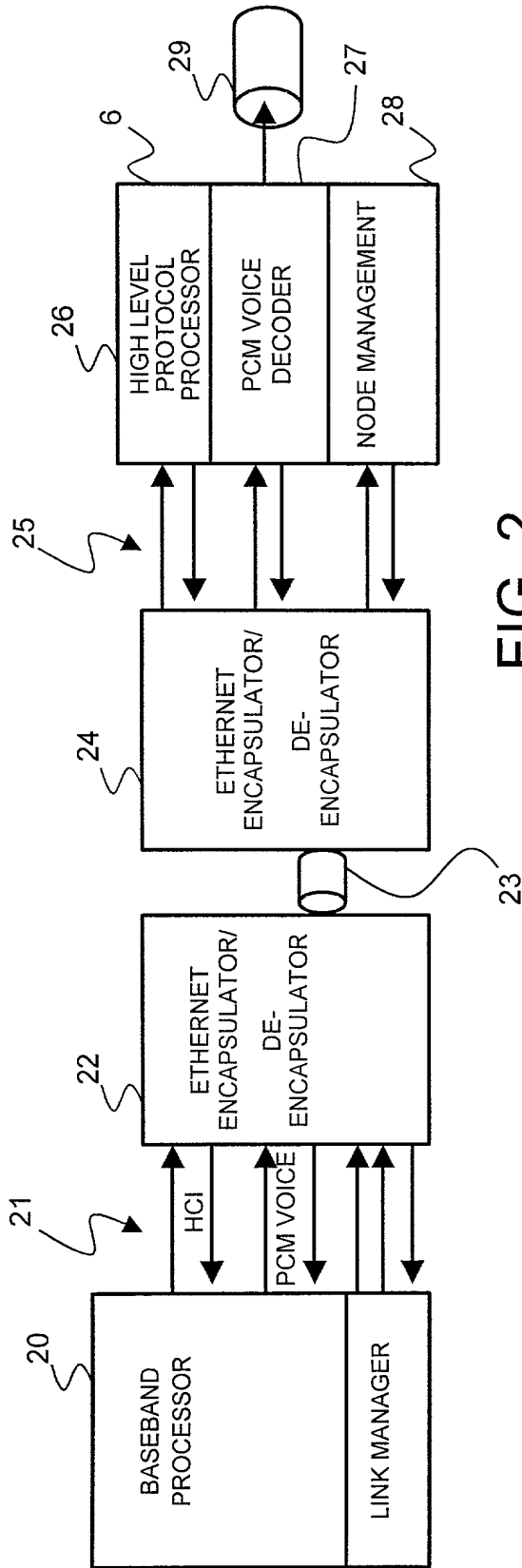


FIG. 2

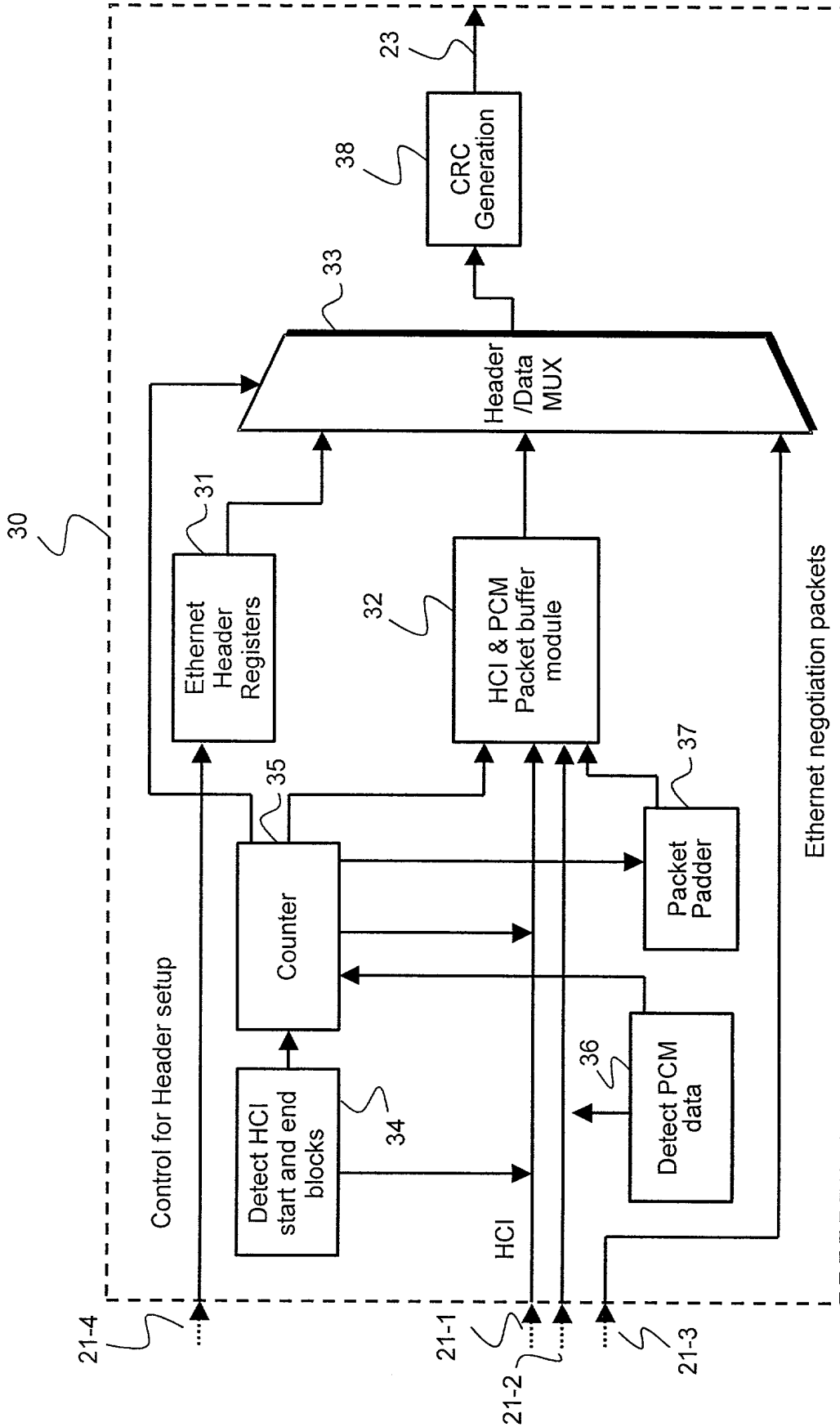


FIG. 3

FIG. 3 is a block diagram of an Ethernet negotiation packet processing system.

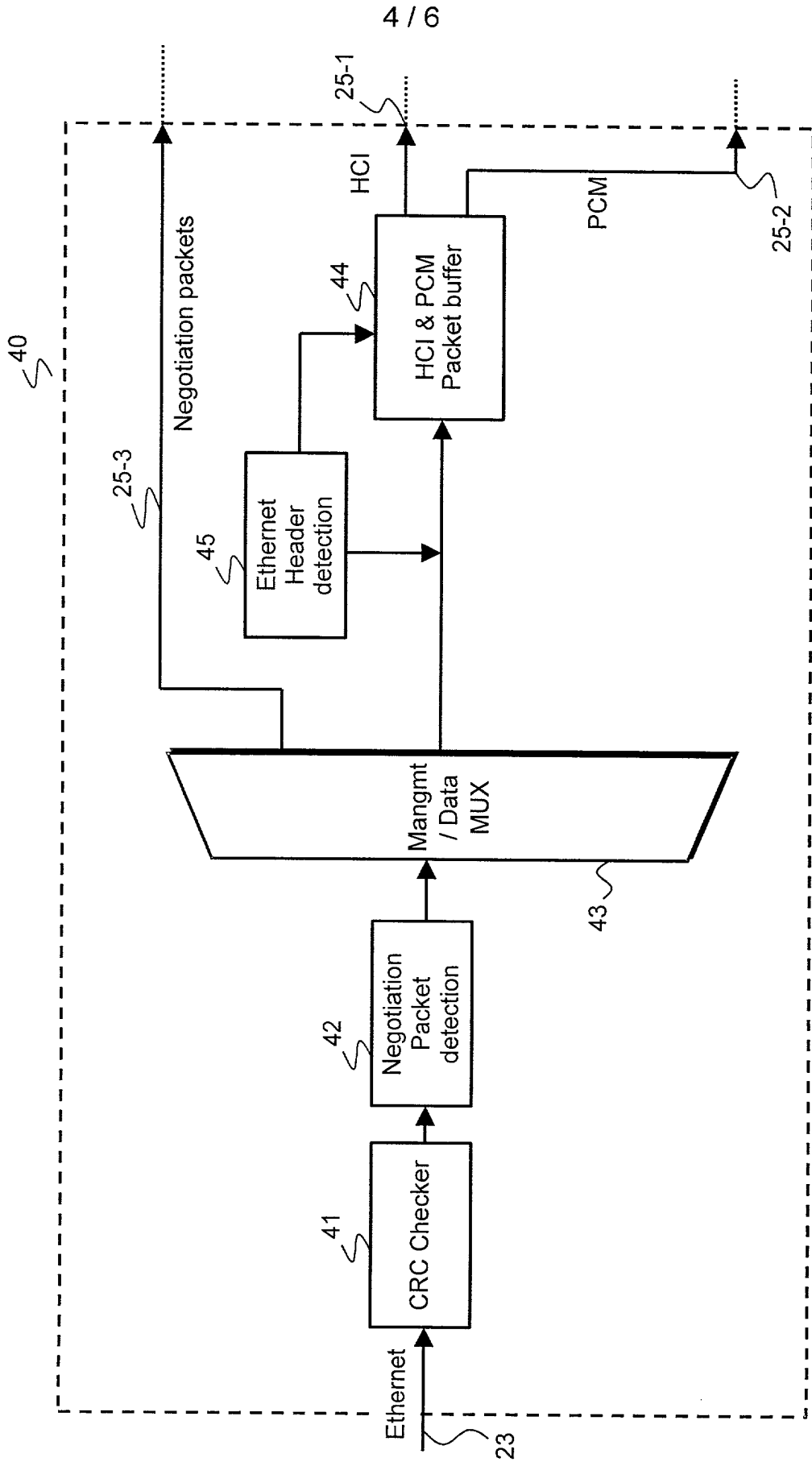
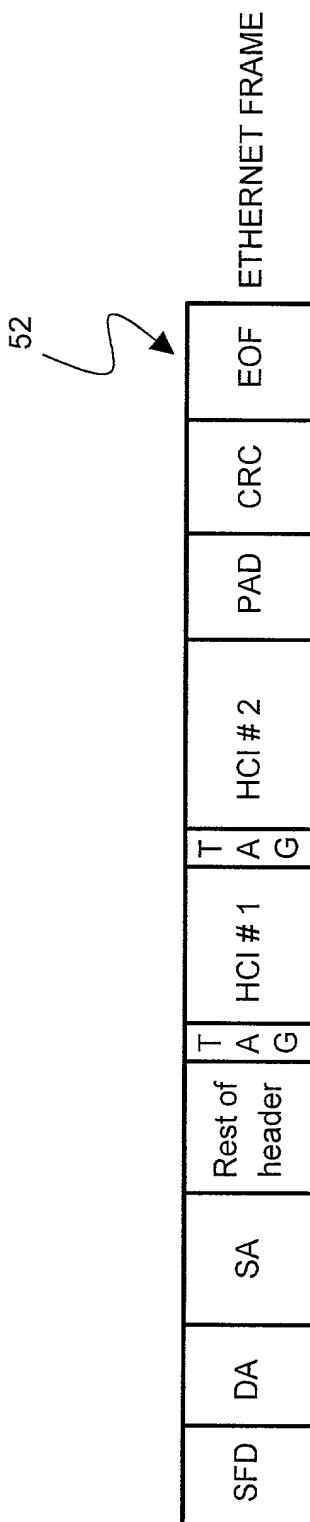
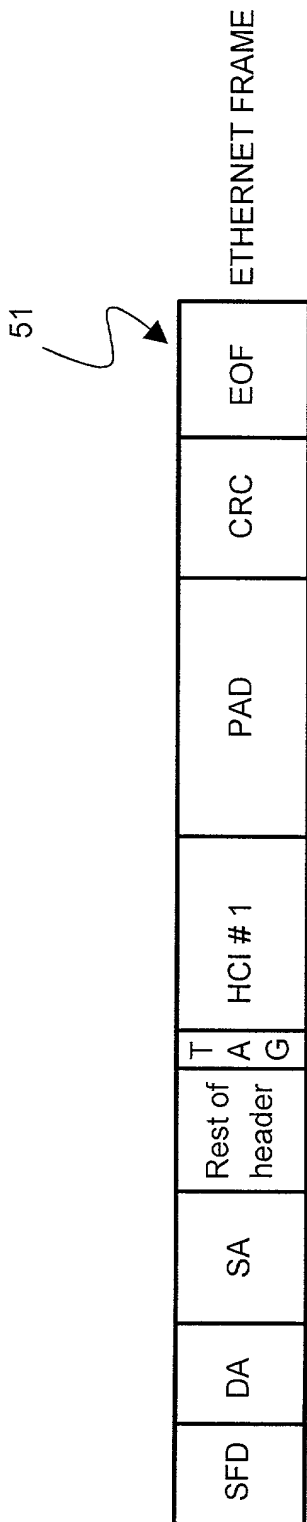


FIG. 4



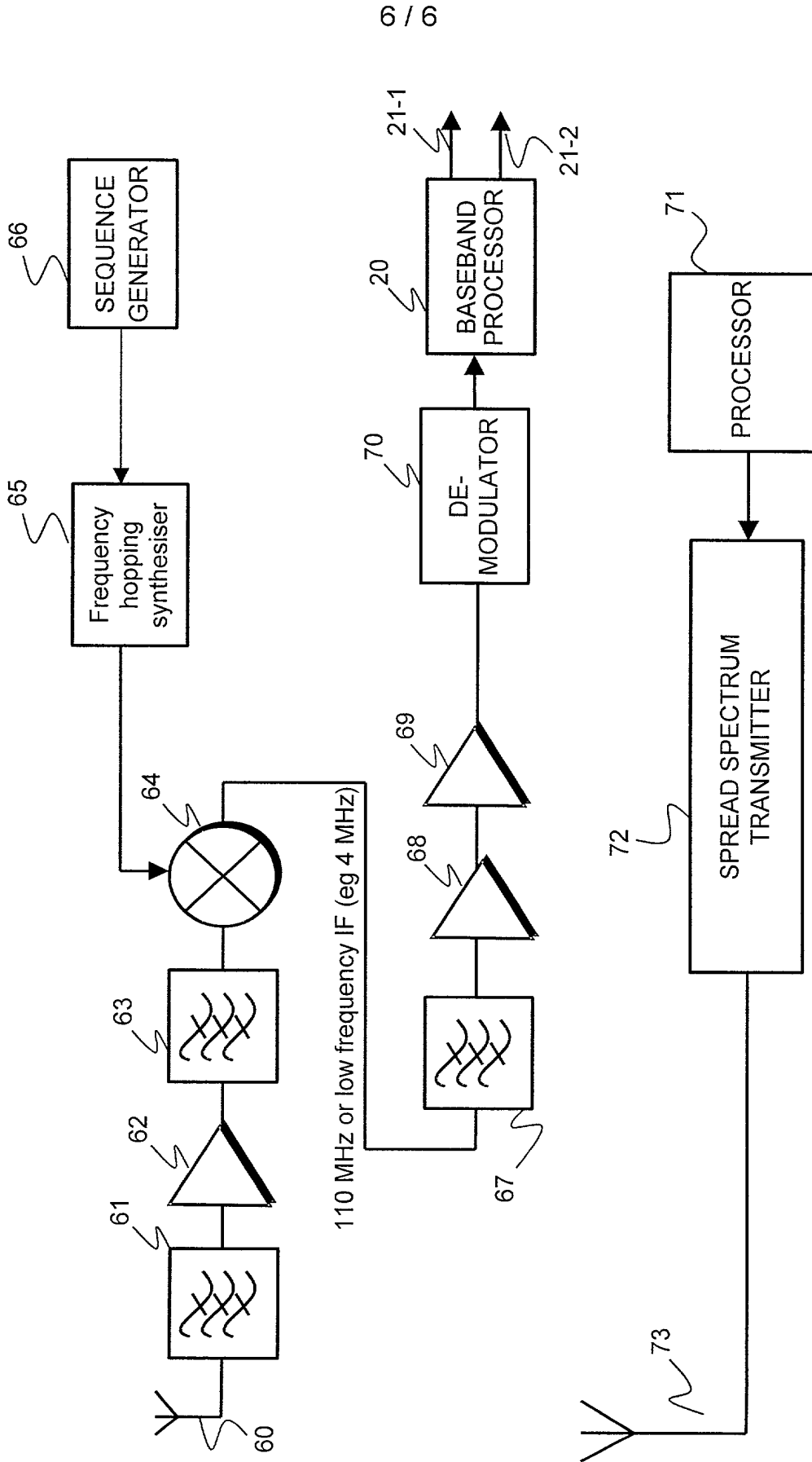


FIG. 6